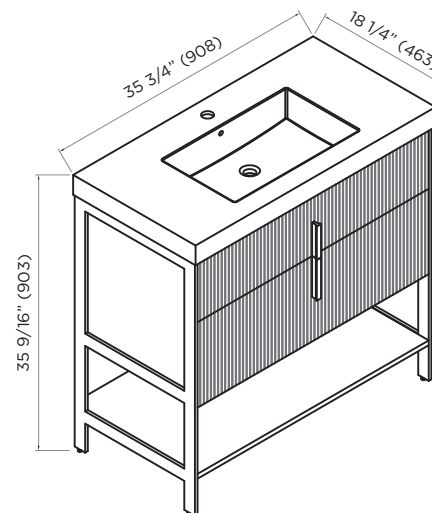


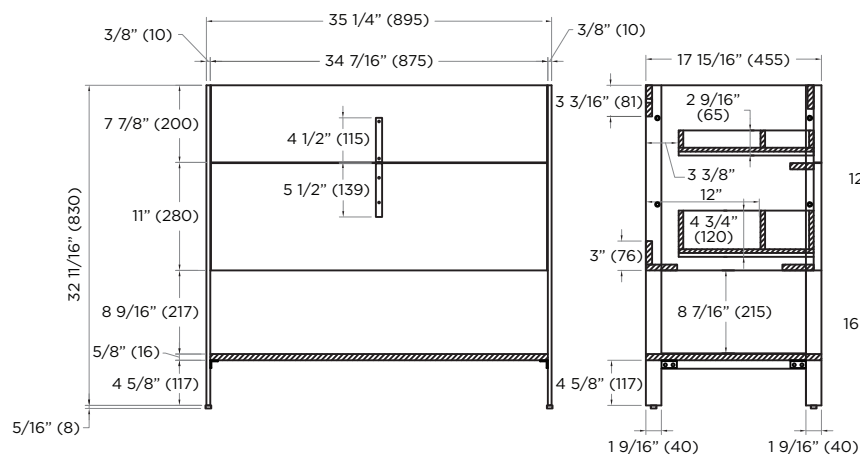
**SPECIFICATIONS / TECHNICAL DATA**

# SERENITY VANITY COLLECTION

**36"**

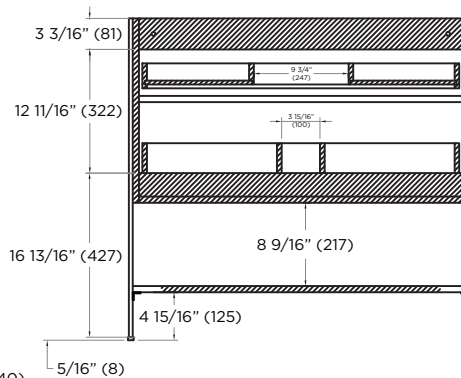


WITH VET3618

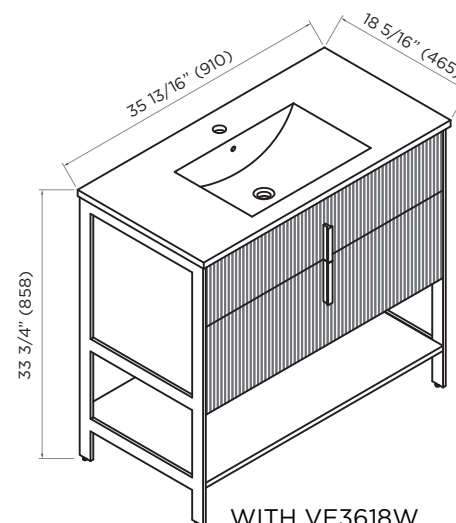


Front View

Side View



Back View



WITH VE3618W

*ATTENTION! Dimensions may vary by up to 3/8". It is highly recommended to pull all dimensions of actual model for installation and measuring purposes.*

**MODEL# SE36**